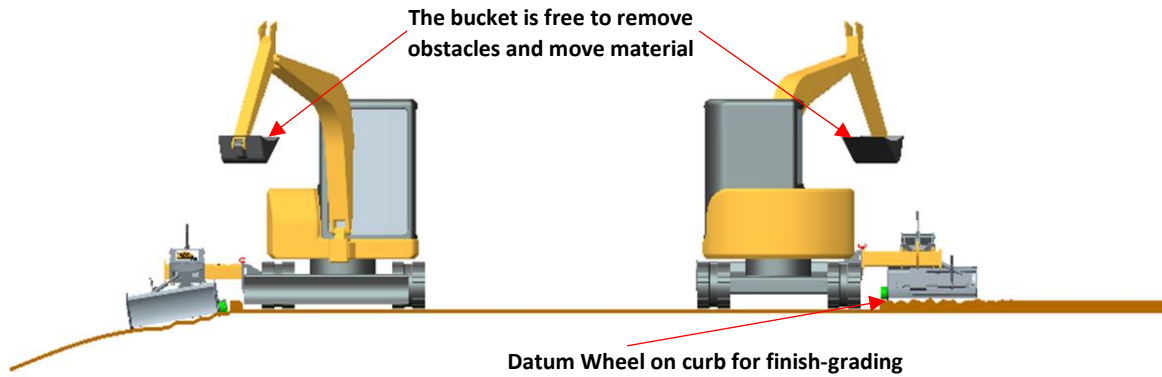
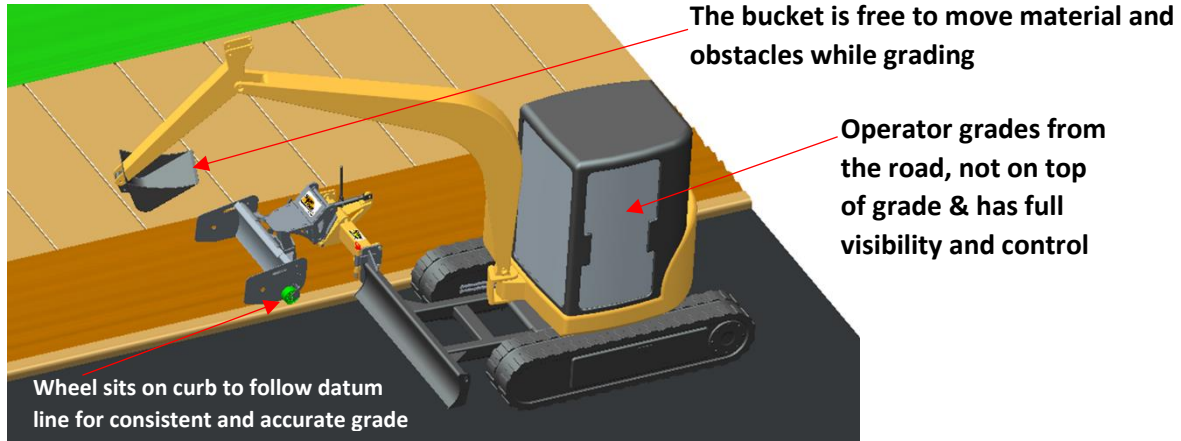




The World Leader in Attachment Innovation

www.sidetool.com

SideTool SideBlade -- #1 Solution in the Industry



Planter areas in malls and office parks



Planter Strips



Too much manual labor eats away at profitability

EFFICIENT & FROM THE SIDE: The SideBlade is a landscape contractor's only attachment solution for replacing trenching spoils, subgrade and topsoil finish grade inside of the planter strip area and compacting trenches while driving next to the grade. Place topsoil, grade & compact as fast as you can drive. Damage to the curb and road is all but eliminated!



The World Leader in Attachment Innovation

www.sidetool.com

SideTool SideBlade -- #1 Solution in the Industry

BETTER OPTIONS: When placing the SideBlade on the excavator the bucket is freed to loosen even the hardest and rockiest ground, while keeping the material in front of the blade, creating grade perfectly matched to the road surface or top of curb datum. When grading in the planter area, landscape contractors are typically dealing with loosened trench spoils and topsoil, therefore the skid steer system works well if no compact excavator is available. In the end, using the SideBlade on either the excavator or skid steer works far superior to a rake and shovel! Requires Skid Steer Coupler or Excavator Coupler.



SideTool is recognized as the industry leader in attachment innovation. Providing a fresh new look at contractor solutions that increase efficiency and safety. The SideTool Advantage continues to provide product solutions that give today's contractor a competitive edge.

| SideBlade Operational Specifications | | |
|--------------------------------------|--------------|----------|
| Height | 22 in | (81 cm) |
| Width | 31 in | (91 cm) |
| Length | 48 in | (107 cm) |
| Extensions | 12 -- 36 in. | |
| Weight | 450 lb. | (272 kg) |

