



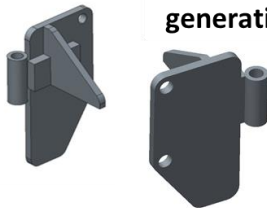
The World Leader in Attachment Innovation

www.sidetool.com

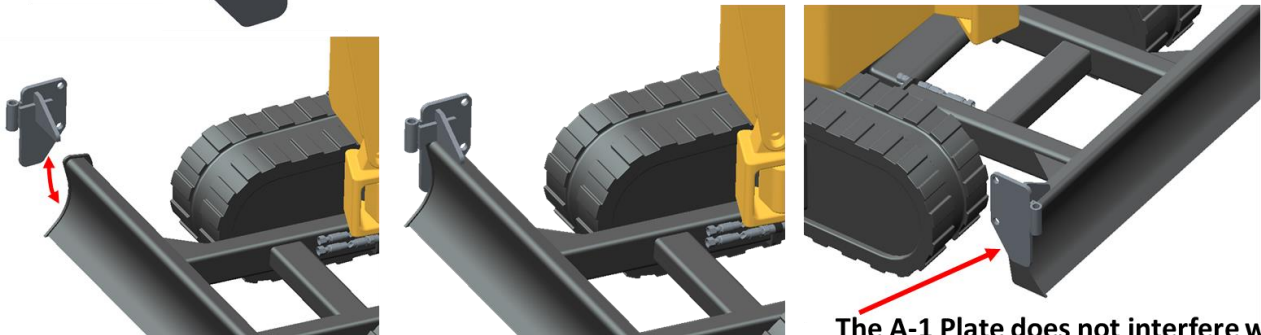
The SideTool A-1 Plate - #1 Industry Solution

The SideTool A-1 Plate An Easy Start to the Sidetool-Ready Excavator

SideTool A-1 Plate – a simple factory addition, a new generation of excavators



A simple solution to being THE market differentiator!



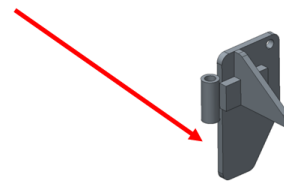
The A-1 Plate does not interfere with the excavator blade's functions

Today's excavator: Limited Attachments
ALL REPLACE THE BUCKET!



Bucket, Plate Compactor, Breaker, Auger Clamp, Trencher, Ripper, Power Tilt Swing, Packer Wheel, Hydra Tilt Swing, 3-Tine Grapple, Flail Mower, Grading Blade

All you need is the simple addition of the A-1 Plate



SideTool-Ready Excavator (STRE) –
THE BUCKET IS NOW FREE!



Bucket, Plate Compactor, Breaker, Auger, Clamp, Trencher, Ripper, Power Tilt Swing, Packer Wheel, Hydra Tilt Swing, 3-Tine Grapple, Flail Mower, Grading Blade,

SideTool SideGrader, SideTool Silt Fence Installer, SideTool Backfill Blade, SideTool SideBlade, SideTool Compaction Wheel, SideTool Sweep, SideTool Vibratory Plow, SideTool Side Hopper, SideTool Front Hopper, SideTool Side Curber, SideTool Snow Plow, SideTool DOT Railguard Cleanout, SideTool Safety Fence Installer

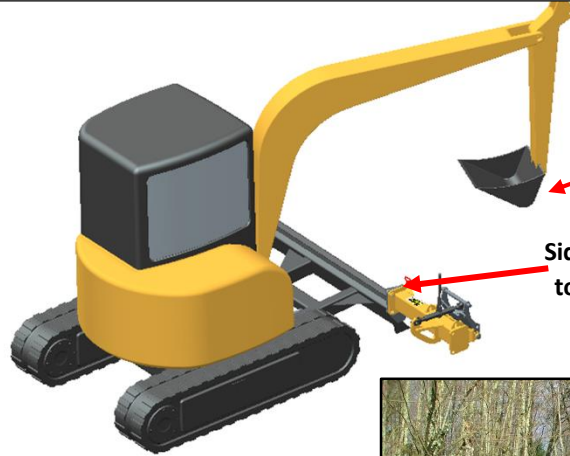


The World Leader in Attachment Innovation

www.sidetool.com

The SideTool A-1 Plate - #1 Industry Solution

SideTool Excavator Coupler (*patented*) easily attaches to A-1 Plate



Bucket is now free to remove obstacles

SideTool MHE Coupler attached to the end of the blade on the A-1 Plate



Sidetool MHE Coupler & Silt Fence Installer



SideTool Excavator Coupler

The SideTool Excavator Coupler attaches various SideTools below the swivel of a 3-6 ton excavator, allowing the excavator bucket to be freed so the operator can remove obstacles and material at the same time. The excavator coupler attaches in minutes and will turn your excavator into a multi-tool.

SideTool is recognized as the industry leader in attachment innovation. Providing a fresh new look at contractor solutions that increase efficiency and safety. The SideTool Advantage provides product solutions that give today's contractor a competitive edge.

Skid Steer (SSL) Coupler Operational Specifications		
Height	19 in	(48 cm)
Width	37 in	(94 cm)
Length	61 in	(155 cm)

Excavator (MHE) Coupler Operational Specifications		
Height	17 in	(43 cm)
Width	27 in	(69 cm)
Length	41 in	(104 cm)