



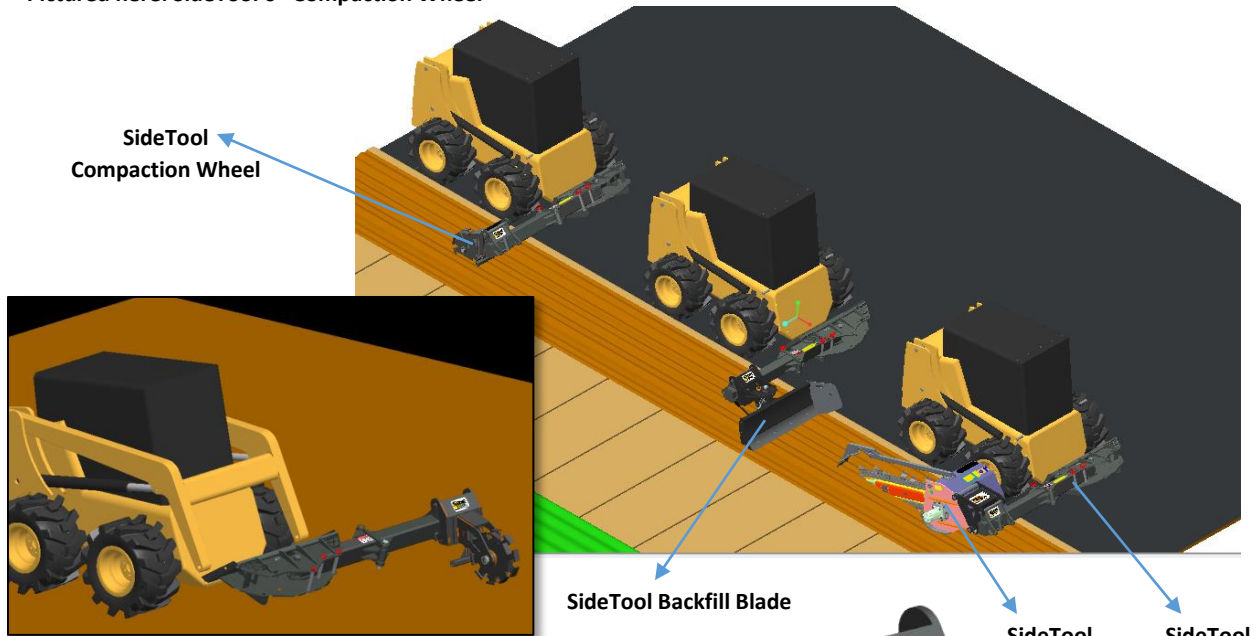
The World Leader in Attachment Innovation

www.sidetool.com

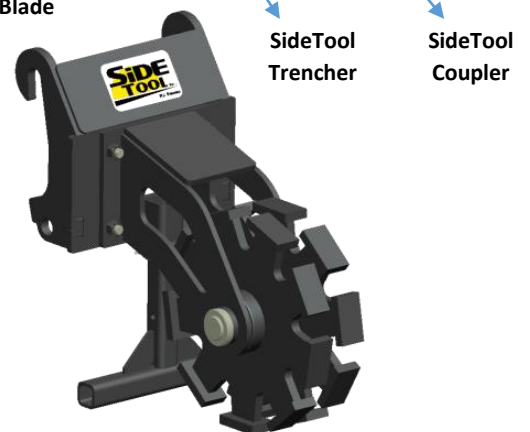
SideTool Compaction Wheel - #1 Industry Solution




Pictured here: SideTool 6" Compaction Wheel



- Easily compact after backfilling
- Easily attach and unhook
- Easily compact medians from the road surface
- Save money, time and labor costs
- Comes in four different sizes: 6", 8", 10" & 12"
- High grade, durable US Steel!



All SideTool products are patented or pending. Engineered and manufactured in the USA. 



The World Leader in Attachment Innovation

www.sidetool.com

SideTool Compaction Wheel - #1 Industry Solution

EFFICIENT & FROM THE SIDE: The Compaction Wheel is the landscaper and utility contractor's only attachment solution for: compacting trenching spoils, subgrade and topsoil finish grade inside of the planter strip area and compacting trenches, after backfilling and while driving next to the grade. Place topsoil, grade & compact as fast as you can drive. Damage to the curb and road is all but eliminated!

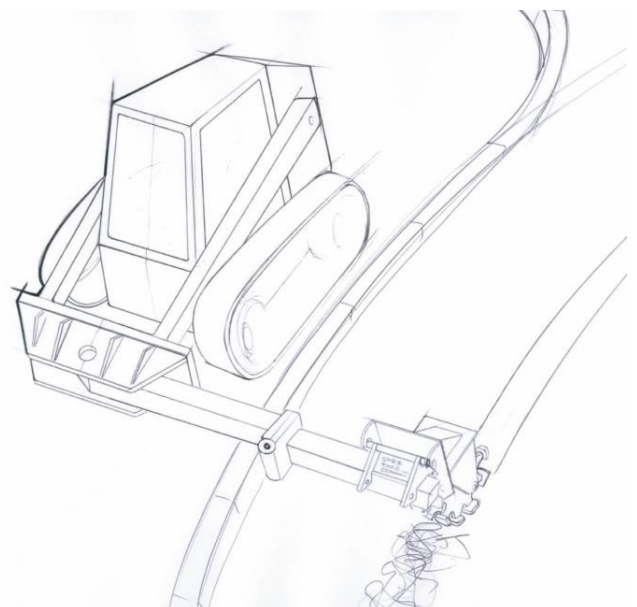
BETTER OPTIONS: When placing the Compaction Wheel on the skid steer, the operator has full visibility of the material while compacting the material in front of the blade, creating grade perfectly matched to the road surface, sidewalk surface or top of curb datum. When grading in the planter area, landscape contractors are typically dealing with loosened trench spoils and topsoil, therefore the skid steer system works well if no compact excavator is available. In the end, using the Backfill Blade and the compaction wheel on either the excavator or skid steer works far superior to a rake and shovel! Requires Skid Steer Coupler or Excavator Coupler.



SideTool is recognized as the industry leader in attachment innovation. Providing a fresh new look at contractor solutions that increase efficiency and safety. The SideTool Advantage continues to provide product solutions that give today's contractor a competitive edge.

Compaction Wheel (6") Operational Specifications

Height	28 in	(71 cm)
Width	30 in	(76 cm)
Length	17 in	(43 cm)
Weight	250 lb.	(113 kg)



All SideTool products are patented or pending. Engineered and manufactured in the USA. 