



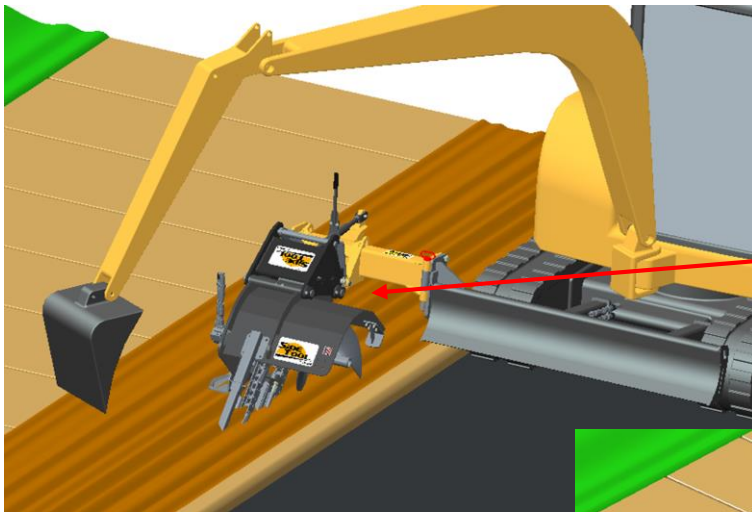
*The World Leader in Attachment Innovation*

[www.sidetool.com](http://www.sidetool.com)

## SideTool Mini-Hydraulic Excavator (MHE) Coupler

### SideTool Excavator Coupler

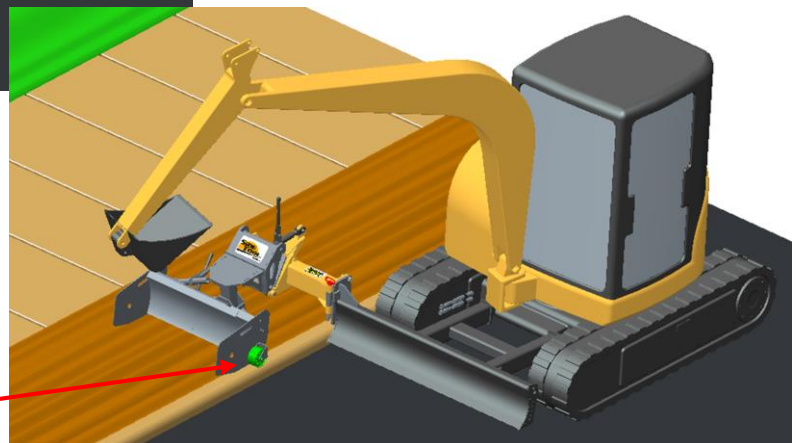
The SideTool Excavator Coupler attaches various SideTool attachments below the swivel of a 3-6 ton excavator, allowing the excavator bucket to be freed so the operator can remove obstacles and material at the same time. The excavator coupler attaches in minutes and will turn your excavator into a multi-tool.



**Trench to the side, behind the curb, while bucket is free to move around material and obstacles**

**Grade with extreme accuracy while bucket is free to move around material and obstacles**

**Note grading wheel on curb for grading accuracy**

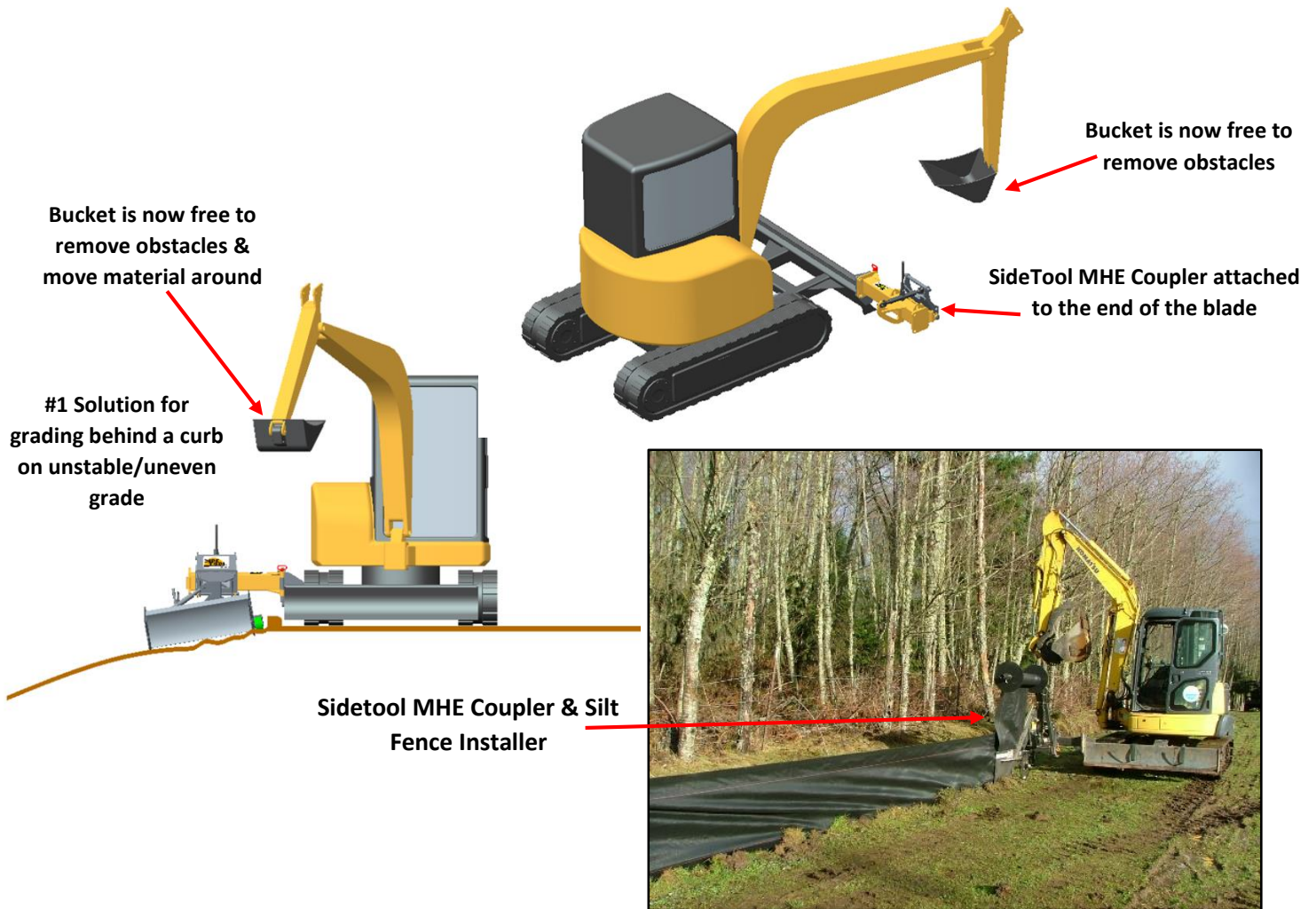




The World Leader in Attachment Innovation

www.sidetool.com

## SideTool Mini-Hydraulic Excavator (MHE) Coupler



*SideTool is recognized as the industry leader in attachment innovation. Providing a fresh new look at contractor solutions that increase efficiency and safety. The SideTool Advantage provides product solutions that give today's contractor a competitive edge.*

### Excavator (MHE) Coupler Operational Specifications

Height	17 in	(43 cm)
Width	27 in	(69 cm)
Length	41 in	(104 cm)
Weight	325 lbs	(147.42 kg)