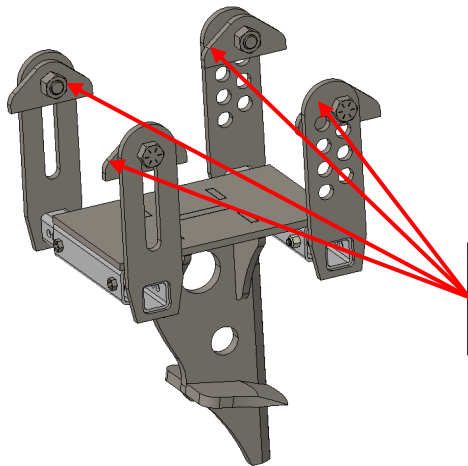


SideTool Wood Splitter Instruction & Assembly Guide

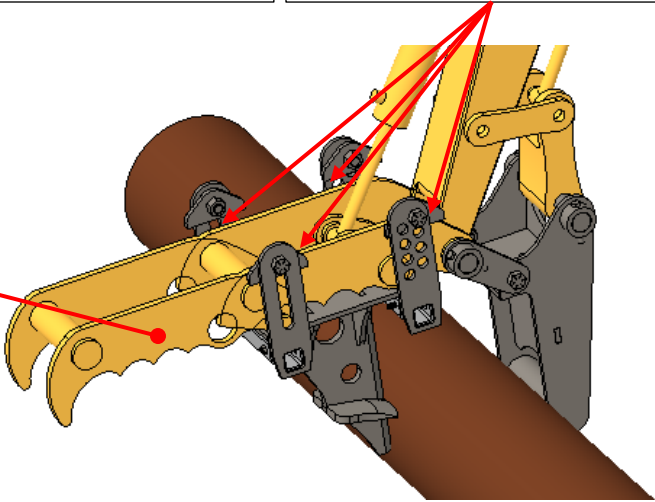
The SideTool Wood Splitter is delivered with four “eyes” that you will weld on the excavator’s thumb as illustrated in the images below. The blade portion of the Wood Splitter is then bolted on to the eyes.



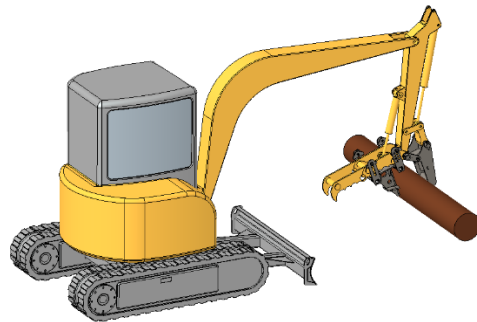
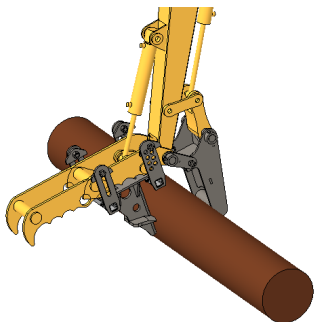
Eyes for the blade portion of Wood Splitter.

Weld eyes so that it positions the blade edge just forward of where the hydraulic cylinder meets the thumb.

Excavator Thumb



How to grab larger logs in the middle with the SideTool Wood Splitter to move them around and avoid bending the knife.



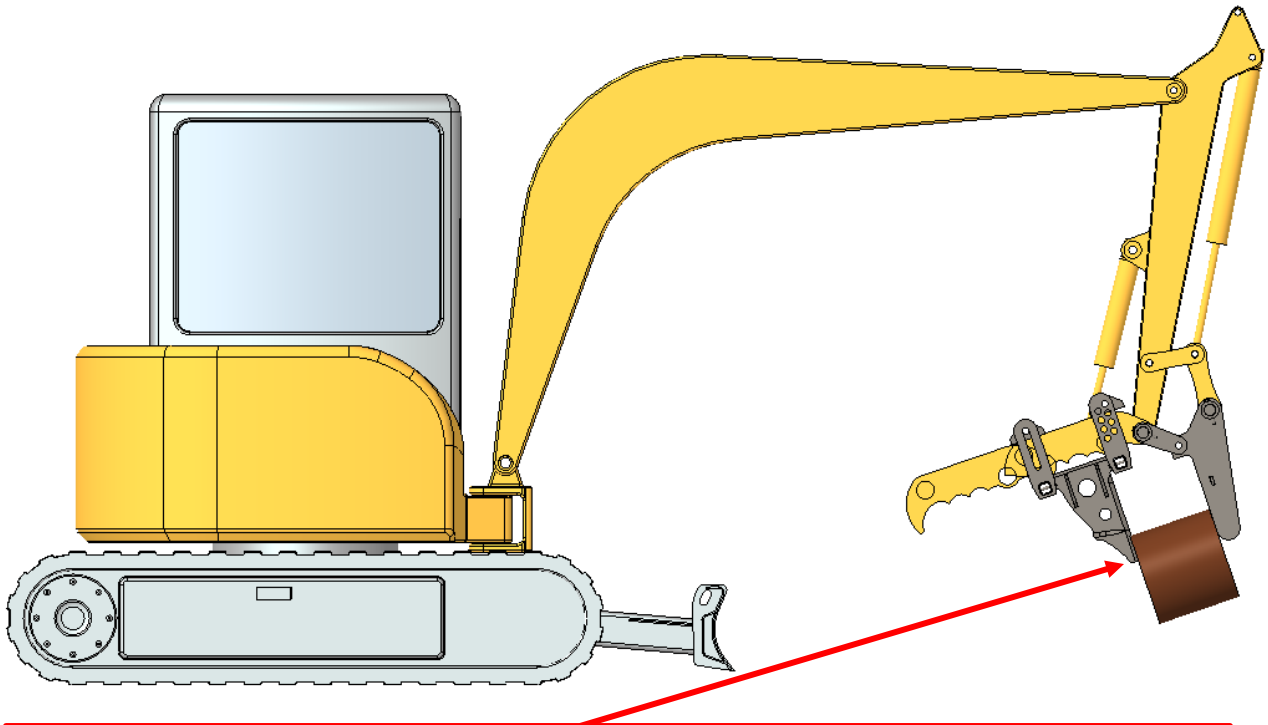


The World Leader in Attachment Innovation

www.sidetool.com

SideTool Wood Splitter Instruction & Assembly Guide

Splitting larger rounds of wood



For larger rounds of wood, it is really important that you grab the round at the edge. Grabbing rounds in the middle to split them will be less efficient – particularly with smaller machines!

For any questions about these instructions, please call us at (253) 720-1678 or email us at info@sidetool.com.

Thank you for your business!